

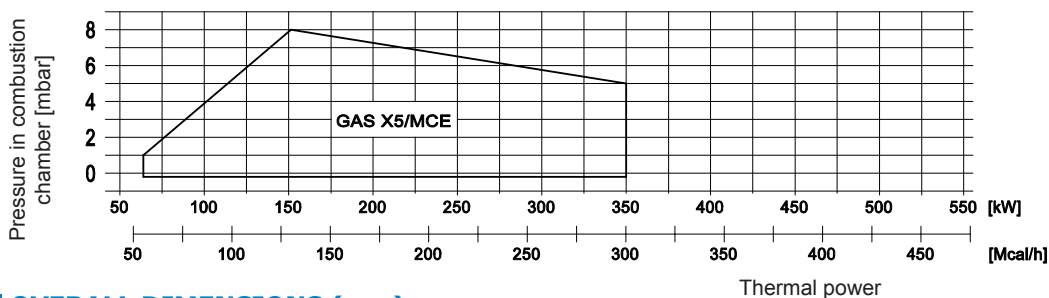


Gas burners two stages progressive (hi-low flame) and modulating (PID fully modulating) with the addition of the optional system modulation kit plus feeder, die-cast aluminum body, fan at high pressurisation, combustion head at elevated stability of flame, protection cover with noise reduction plate. Electronic control box MPA22 with microprocessor and two servomotors for air and gas adjustment. Interactive set-up LCD display and eBUS system connection. Complete of valve testing function.

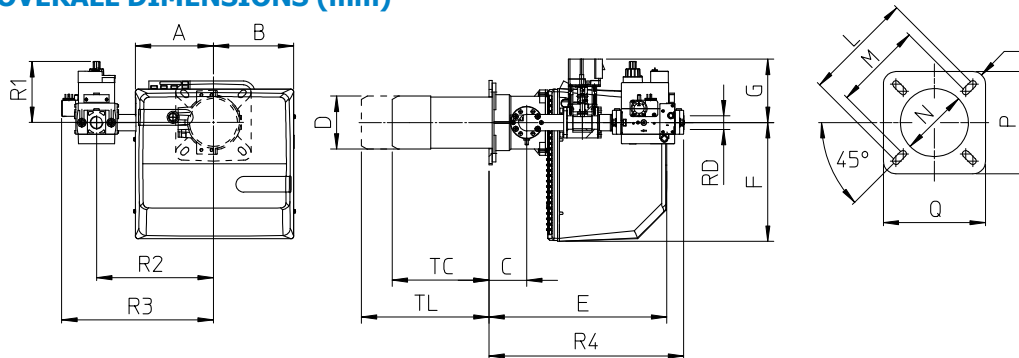
TECHNICAL DATA

MODEL		GAS X5/MCE
Thermal power min 1° st./min 2° st.-max 2° st.	Mcal/h	55/130-300
Thermal power min 1° st./min 2° st.-max 2° st.	kW	63,8/151-349
Flow G20 (NATURAL GAS) min 1° st./min 2° st.-max 2° st.	Nm ³ /h	6,4/15,5-35
Flow G31 (L.P.G.) min 1° st./min 2° st.-max 2° st.	Nm ³ /h	2,5/5,8-13,5
Fuel		NATURAL GAS (second family) - L.P.G. (third family)
Fuel category		I _{2R} / I _{2H} / I _{2L} / I _{2E} / I _{2E+} / I _{2E+} / I _{2ELL} / I _{2E(R)B} / I _{3B/P} / I ₃₊ / I _{3P} / I _{3B} / I _{3R}
Intermittent operation (min. 1 arrest every 24 hours)		double stage progressive and modulating
Environmental conditions operation/storage		-15...+40°C / -20...+70°C , relative umidity max 80%
Max temperature combustion air	°C	60
Min. pressure gas train D1"-S NATURAL GAS/L.P.G.	mbar	27/33
Min. pressure gas train D1"1/4-S NATURAL GAS/L.P.G.	mbar	16/25
Maximum pressure at the entry of the valves (Pe.max)	mbar	360
Nominal electric power	W	540
Motor fan	W	370
Nominal absorption	A	2,4
Power supply		1/N~230V-50Hz
Degree of electric protection		IP40
Noisiness min-max	dBA	66 - 71
Burner weight	kg	24

OPERATING RANGE: Thermal power - Pressure in combustion chamber



OVERALL DIMENSIONS (mm)



MODEL	A	B	C	D	E	F	G	L	M	N	O	P	Q	TC	TL	R1	R2	R3	R4	RD	Gas train weight
GAS X5/MCE-D1"-S	207	213	98	138	462	310	165	226	205	148	R30	220	220	250	335	160	305	395	508	Rp 1"	6 kg
GAS X5/MCE-D1"1/4-S	207	213	98	138	462	310	165	226	205	148	R30	220	220	250	335	160	305	395	508	Rp 1"1/4	6 kg

The illustrations and data here shown are indicative. F.B.R. Bruciatori S.r.l. reserves the right to bring, without any obligation of warning, any changes that would be appropriate to the continuing development of their products.