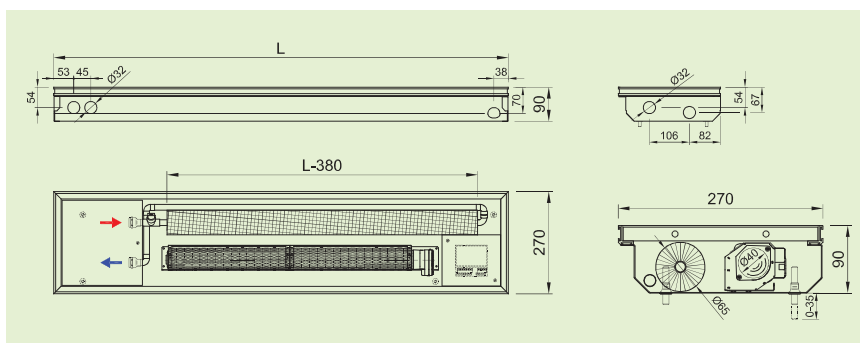




## PARAMETERS

|                             |                           |  |
|-----------------------------|---------------------------|--|
| <b>Convector</b>            | Width                     | 270 mm   |
|                             | Height                    | 90 mm  |
|                             | Length                    | 800–4800 mm in step 400 mm                           |
|                             | Height adjusting          | 0–35 mm  |
|                             | Stainless trough width    | 250  |
|                             | Grill type                | cross / linear                                       |
|                             | Grill material            | anodized aluminium, wood, stainless steel            |
| <b>Exchanger</b>            | Width                     | 1 × Ø 65 mm  |
|                             | Height                    |  |
|                             | Finned length             | L-380 mm   |
|                             | Heat medium connection    | 2 × G1/2" female thread                              |
|                             | Max. working temperature  | 110 °C   |
|                             | Max. working overpressure | 1 MPa  |
| <b>Fan</b>                  | Rotor diameter            | Ø 40 mm  |
|                             | Operating voltage         | <b>Safe voltage 24V DC</b>                           |
|                             | Ingress protection        | IP20   |
|                             | Regulation                | control voltage <b>0–10V</b> (regulation SR201, ...) |
| <b>Operating conditions</b> | Ambient temperature       | +2 to +40 °C   |
|                             | Relative humidity         | 20–70%   |



|   | SPEED | LENGTH [mm] |      |      |      |      |      |      |      |      |      |      |
|---|-------|-------------|------|------|------|------|------|------|------|------|------|------|
|   |       | 800         | 1200 | 1600 | 2000 | 2400 | 2800 | 3200 | 3600 | 4000 | 4400 | 4800 |
| <b>ACOUSTIC PRESSURE</b><br>L <sub>p</sub> Am <sub>ax</sub> [dB(A)] | 1     | 22          | 24   | 24   | 25   | 25   | 25   | 25   | 25   | 26   | 26   | 26   |
|   | 2     | 24          | 25   | 27   | 28   | 29   | 31   | 31   | 31   | 31   | 31   | 31   |
|   | 3     | 30          | 30   | 33   | 34   | 37   | 39   | 39   | 39   | 39   | 39   | 40   |
| <b>AIR VOLUME</b><br>[m <sup>3</sup> /h]                            | 1     | 27          | 55   | 82   | 109  | 137  | 164  | 191  | 219  | 246  | 273  | 301  |
|   | 2     | 36          | 65   | 92   | 130  | 184  | 196  | 250  | 276  | 315  | 369  | 380  |
|   | 3     | 50          | 103  | 140  | 207  | 280  | 310  | 383  | 419  | 486  | 559  | 590  |

|              |                          |   |
|--------------|--------------------------|---|
| Code example | <b>FLT10-09200-NR126</b> | Floor convector FLT10-09, H=90 mm, W=270 mm, L=2000 mm, stainless steel trough, Al natur frame, Al natur linear grill, installed regulation SR201, convector 24V DC |
|--------------|--------------------------|---|

Ordering, see the page 37

## SPECIFICATIONS

- Residence, luxury villas, houses, office buildings
- Forced convection by tangential fans
- High heating output
- Low power consumption
- Safe voltage 24V DC
- Easy control
- Cu-Cu heat exchanger
- Mechanical resistance of the heat exchanger
- Easy cleaning - hygiene
- Smooth running
- Using in dry ambience

## HEATING OUTPUT

### Q [W] 90/70/20 °C

| SPEED       | 0                  | 1    | 2    | 3    |
|-------------|--------------------|------|------|------|
| rpm         | 0                  | 576  | 762  | 1057 |
| LENGTH [mm] | HEATING OUTPUT [W] |      |      |      |
| 800         | 70                 | 268  | 320  | 393  |
| 1200        | 136                | 536  | 640  | 786  |
| 1600        | 202                | 804  | 961  | 1179 |
| 2000        | 268                | 1073 | 1281 | 1572 |
| 2400        | 334                | 1609 | 1921 | 2358 |
| 2800        | 401                | 1670 | 1982 | 2419 |
| 3200        | 467                | 2145 | 2561 | 3144 |
| 3600        | 533                | 2413 | 2882 | 3537 |
| 4000        | 599                | 2681 | 3202 | 3930 |
| 4400        | 666                | 3218 | 3842 | 4716 |
| 4800        | 732                | 3279 | 3904 | 4778 |

### Qn [W] 75/65/20 °C

| SPEED       | 0                  | 1    | 2    | 3    |
|-------------|--------------------|------|------|------|
| rpm         | 0                  | 576  | 762  | 1057 |
| LENGTH [mm] | HEATING OUTPUT [W] |      |      |      |
| 800         | 53                 | 219  | 262  | 321  |
| 1200        | 104                | 438  | 523  | 642  |
| 1600        | 155                | 657  | 785  | 963  |
| 2000        | 206                | 876  | 1046 | 1284 |
| 2400        | 257                | 1314 | 1569 | 1926 |
| 2800        | 308                | 1364 | 1619 | 1976 |
| 3200        | 359                | 1752 | 2092 | 2568 |
| 3600        | 410                | 1971 | 2354 | 2889 |
| 4000        | 461                | 2190 | 2615 | 3210 |
| 4400        | 512                | 2628 | 3138 | 3852 |
| 4800        | 563                | 2678 | 3188 | 3902 |

### Q [W] 70/55/20 °C

| SPEED       | 0                  | 1    | 2    | 3    |
|-------------|--------------------|------|------|------|
| rpm         | 0                  | 576  | 762  | 1057 |
| LENGTH [mm] | HEATING OUTPUT [W] |      |      |      |
| 800         | 42                 | 183  | 218  | 268  |
| 1200        | 83                 | 366  | 437  | 536  |
| 1600        | 123                | 549  | 655  | 804  |
| 2000        | 163                | 731  | 873  | 1072 |
| 2400        | 203                | 1097 | 1310 | 1608 |
| 2800        | 244                | 1139 | 1351 | 1649 |
| 3200        | 284                | 1463 | 1747 | 2144 |
| 3600        | 324                | 1646 | 1965 | 2412 |
| 4000        | 364                | 1828 | 2183 | 2680 |
| 4400        | 405                | 2194 | 2620 | 3216 |
| 4800        | 445                | 2236 | 2662 | 3258 |

### Q [W] 55/45/20 °C

| SPEED       | 0                  | 1    | 2    | 3    |
|-------------|--------------------|------|------|------|
| rpm         | 0                  | 576  | 762  | 1057 |
| LENGTH [mm] | HEATING OUTPUT [W] |      |      |      |
| 800         | 26                 | 124  | 148  | 182  |
| 1200        | 50                 | 248  | 297  | 364  |
| 1600        | 74                 | 373  | 445  | 546  |
| 2000        | 99                 | 497  | 593  | 728  |
| 2400        | 123                | 745  | 890  | 1092 |
| 2800        | 147                | 773  | 918  | 1120 |
| 3200        | 172                | 994  | 1186 | 1456 |
| 3600        | 196                | 1118 | 1335 | 1638 |
| 4000        | 220                | 1242 | 1483 | 1820 |
| 4400        | 245                | 1490 | 1780 | 2185 |
| 4800        | 269                | 1519 | 1808 | 2213 |