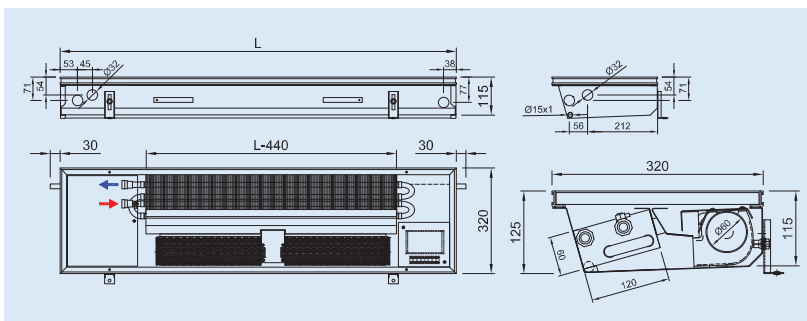




PARAMETERS

Convactor	Width	320 mm
	Height	125 mm
	Length	1200-3200 mm in step 400 mm
	Height adjusting	0-35 mm
	Stainless trough width	300 mm
	Grill type	cross / linear
Exchanger	Grill material	anodized aluminium, wood, stainless steel
	Width	120 mm
	Height	60 mm
	Finned length	L-440 mm
	Heat medium connection	2 x G1/2" female thread
	Max. working temperature	110 °C
Fan	Max. working overpressure	1 MPa
	Rotor diameter	∅ 60 mm
	Operating voltage	230V AC / 50Hz
	Ingress protection	IP20
Operating conditions	Regulation	by output voltage modification (regulation Z-VD...)
	Ambient temperature	+2 to +40 °C
	Relative humidity	20-70%



	SPEED	LENGTH [mm]						
		800	1200	1600	2000	2400	2800	3200
ACOUSTIC PRESSURE LpAmax [dB(A)]	1	23	24	25	26	25	27	27
	2	29	30	32	33	33	34	34
	3	43	44	47	47	47	48	48
AIR VOLUME [m³/h]	1	70	102	141	168	213	252	252
	2	111	159	223	242	343	364	363
	3	159	234	316	399	477	600	603

Code example **FCT41-12120-NR213** Floor convector FCT41-12, H=125 mm, W=320 mm, L=1200 mm, stainless steel trough, Al bronze frame, Al bronze cross roll-up grill, installed regulation Z-VD003, convactor 230V AC

Ordering, see the page 41

SPECIFICATIONS

- Flats, detached houses, offices, halls
- High heating output
- Forced convection by tangential fans
- Smooth running
- Dry ambience
- Low power consumption
- Easy control

HEATING OUTPUT

Q [W] 90/70/20 °C

SPEED	0	1	2	3
rpm	0	540	675	1085
LENGTH [mm]	HEATING OUTPUT [W]			
1200	322	1366	1741	2442
1600	491	2049	2612	3662
2000	660	2732	3483	4883
2400	830	3279	4179	5860
2800	999	4098	5224	7325
3200	1168	4918	6269	8790

Qn [W] 75/65/20 °C

SPEED	0	1	2	3
rpm	0	540	675	1085
LENGTH [mm]	HEATING OUTPUT [W]			
1200	247	1133	1444	2025
1600	377	1699	2166	3037
2000	508	2266	2888	4049
2400	638	2719	3466	4859
2800	768	3399	4332	6074
3200	898	4078	5198	7289

Q [W] 70/55/20 °C

SPEED	0	1	2	3
rpm	0	540	675	1085
LENGTH [mm]	HEATING OUTPUT [W]			
1200	196	959	1222	1714
1600	298	1438	1833	2570
2000	401	1917	2444	3427
2400	504	2301	2933	4112
2800	607	2876	3666	5141
3200	710	3451	4399	6169

Q [W] 55/45/20 °C

SPEED	0	1	2	3
rpm	0	540	675	1085
LENGTH [mm]	HEATING OUTPUT [W]			
1200	118	670	855	1198
1600	181	1006	1282	1797
2000	243	1341	1709	2397
2400	305	1609	2051	2876
2800	367	2011	2564	3595
3200	430	2414	3077	4314



Q [W] 6/12 °C, relative humidity 50 %

SPEED		1		2		3	
rpm/min		540		675		1085	
LENGTH [mm]	Ti [°C]	COOLING OUTPUT [W]					
		Qk[W]	Qs[W]	Qk[W]	Qs[W]	Qk[W]	Qs[W]
1200	24	281	261	358	333	439	408
	26	308	287	393	366	481	448
	28	335	311	427	397	523	486
	30	360	335	459	427	563	524
1600	24	421	392	537	500	658	612
	26	462	430	589	548	722	672
	28	502	467	640	595	784	729
	30	540	503	689	641	844	785
2000	24	562	523	716	666	878	816
	26	616	573	786	731	963	896
	28	669	622	853	794	1 045	972
	30	721	670	919	855	1 126	1 047
2400	24	674	627	860	800	1 053	980
	26	740	688	943	877	1 155	1 075
	28	803	747	1 024	952	1 254	1 167
	30	865	804	1 103	1 026	1 351	1 257
2800	24	843	784	1 074	1 000	1 316	1 225
	26	924	860	1 179	1 097	1 444	1 343
	28	1 004	934	1 280	1 191	1 568	1 459
	30	1 081	1 006	1 378	1 282	1 688	1 571
3200	24	1 011	941	1 289	1 199	1 580	1 469
	26	1 109	1 032	1 414	1 316	1 733	1 612
	28	1 205	1 120	1 536	1 429	1 882	1 750
	30	1 297	1 207	1 654	1 539	2 026	1 885

Q [W] 8/14 °C, relative humidity 50 %

SPEED		1		2		3	
rpm/min		540		675		1085	
LENGTH [mm]	Ti [°C]	COOLING OUTPUT [W]					
		Qk[W]	Qs[W]	Qk[W]	Qs[W]	Qk[W]	Qs[W]
1200	24	253	235	322	300	395	367
	26	281	261	358	333	439	408
	28	308	287	393	366	481	448
	30	335	311	427	397	523	486
1600	24	379	353	483	450	592	551
	26	421	392	537	500	658	612
	28	462	430	589	548	722	672
	30	502	467	640	595	784	729
2000	24	505	470	644	599	789	734
	26	562	523	716	666	878	816
	28	616	573	786	731	963	896
	30	669	622	853	794	1 045	972
2400	24	606	564	773	719	947	881
	26	674	627	860	800	1 053	980
	28	740	688	943	877	1 155	1 075
	30	803	747	1 024	952	1 254	1 167
2800	24	758	705	966	899	1 184	1 102
	26	843	784	1 074	1 000	1 316	1 225
	28	924	860	1 179	1 097	1 444	1 343
	30	1 004	934	1 280	1 191	1 568	1 459
3200	24	910	846	1 160	1 079	1 421	1 322
	26	1 011	941	1 289	1 199	1 580	1 469
	28	1 109	1 032	1 414	1 316	1 733	1 612
	30	1 205	1 120	1 536	1 429	1 882	1 750

Q [W] 10/15 °C, relative humidity 50 %

SPEED		1		2		3	
rpm/min		540		675		1085	
LENGTH [mm]	Ti [°C]	COOLING OUTPUT [W]					
		Qk[W]	Qs[W]	Qk[W]	Qs[W]	Qk[W]	Qs[W]
1200	24	231	215	294	274	360	335
	26	260	242	331	308	406	378
	28	288	268	367	341	450	418
	30	315	293	401	373	492	458
1600	24	346	322	441	411	541	503
	26	390	363	497	462	609	566
	28	432	402	550	512	674	627
	30	472	439	602	560	738	686
2000	24	462	429	588	547	721	671
	26	520	483	663	616	812	755
	28	576	535	734	683	899	836
	30	630	586	803	747	984	915
2400	24	554	515	706	657	865	805
	26	624	580	795	740	974	906
	28	691	643	881	819	1 079	1 004
	30	756	703	963	896	1 180	1 098
2800	24	692	644	883	821	1 081	1 006
	26	779	725	994	925	1 218	1 133
	28	863	803	1 101	1 024	1 349	1 255
	30	944	879	1 204	1 120	1 475	1 373
3200	24	831	773	1 059	985	1 298	1 207
	26	935	870	1 193	1 109	1 461	1 359
	28	1 036	964	1 321	1 229	1 618	1 506
	30	1 133	1 054	1 445	1 344	1 770	1 647

Q [W] 12/16 °C, relative humidity 50 %

SPEED		1		2		3	
rpm/min		540		675		1085	
LENGTH [mm]	Ti [°C]	COOLING OUTPUT [W]					
		Qk[W]	Qs[W]	Qk[W]	Qs[W]	Qk[W]	Qs[W]
1200	24	208	194	265	247	325	302
	26	238	222	304	282	372	346
	28	267	248	340	317	417	388
	30	295	274	376	349	460	428
1600	24	312	290	398	370	488	454
	26	357	332	455	424	558	519
	28	400	372	510	475	625	582
	30	442	411	563	524	690	642
2000	24	416	387	531	494	650	605
	26	476	443	607	565	744	692
	28	534	497	681	633	834	776
	30	589	548	751	699	920	856
2400	24	499	465	637	592	780	726
	26	572	532	729	678	893	831
	28	641	596	817	760	1 001	931
	30	707	658	902	839	1 105	1 028
2800	24	624	581	796	740	975	907
	26	714	665	911	847	1 116	1 038
	28	801	745	1 021	950	1 251	1 164
	30	884	822	1 127	1 048	1 381	1 284
3200	24	749	697	955	889	1 170	1 089
	26	857	797	1 093	1 017	1 339	1 246
	28	961	894	1 225	1 140	1 501	1 396
	30	1 061	987	1 352	1 258	1 657	1 541

Q [W] 16/18 °C, relative humidity 50 %

SPEED		1		2		3	
rpm/min		540		675		1085	
LENGTH [mm]	Ti [°C]	COOLING OUTPUT [W]					
		Qk[W]	Qs[W]	Qk[W]	Qs[W]	Qk[W]	Qs[W]
1200	24	149	149	190	190	232	232
	26	179	179	228	228	280	280
	28	223	208	285	265	349	324
	30	253	235	322	300	395	367
1600	24	223	223	284	284	348	348
	26	269	269	342	342	420	420
	28	335	312	427	397	523	487
	30	379	353	483	450	592	551
2000	24	297	297	379	379	464	464
	26	358	358	457	457	559	559
	28	447	415	569	530	698	649
	30	505	470	644	599	789	734

Q [W] 16/18 °C, relative humidity 50 %

SPEED		1		2		3	
rpm/min		540		675		1085	
LENGTH [mm]	Ti [°C]	COOLING OUTPUT [W]					
		Qk[W]	Qs[W]	Qk[W]	Qs[W]	Qk[W]	Qs[W]
2400	24	357	357	455	455	557	557
	26	430	430	548	548	671	671
	28	536	498	683	636	837	779
	30	606	564	773	719	947	881
2800	24	446	446	569	569	697	697
	26	537	537	685	685	839	839
	28	670	623	854	795	1 046	973
	30	758	705	966	899	1 184	1 102
3200	24	535	535	682	682	836	836
	26	645	645	822	822	1 007	1 007
	28	804	748	1 025	953	1 256	1 168
	30	910	846	1 160	1 079	1 421	1 322

Qk [W] - total cooling output, Qs[W] - sensible cooling output (air relative humidity 50 %)