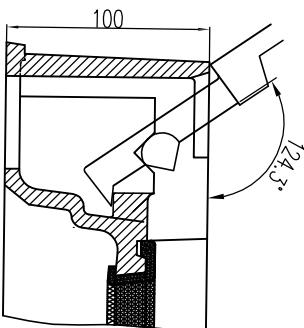
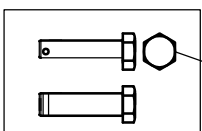
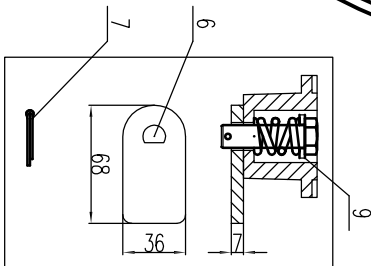
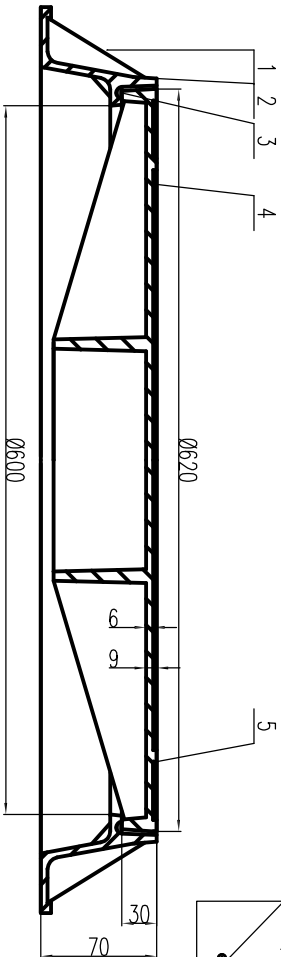
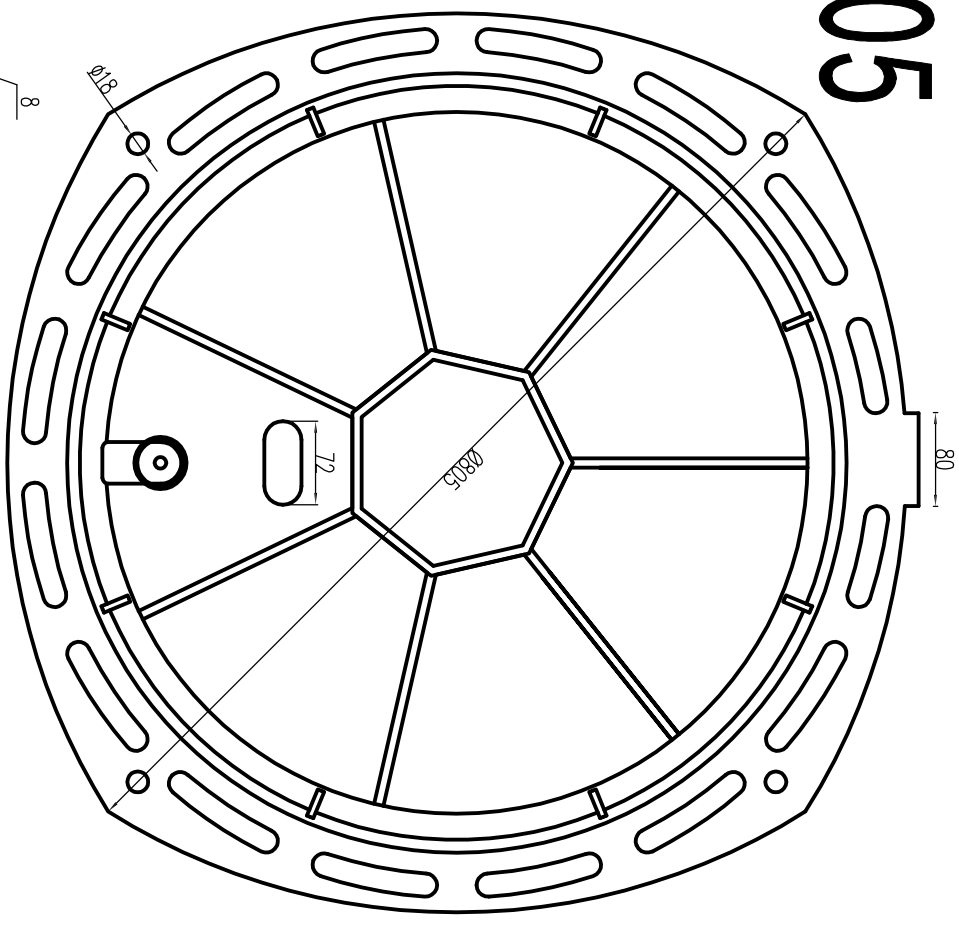
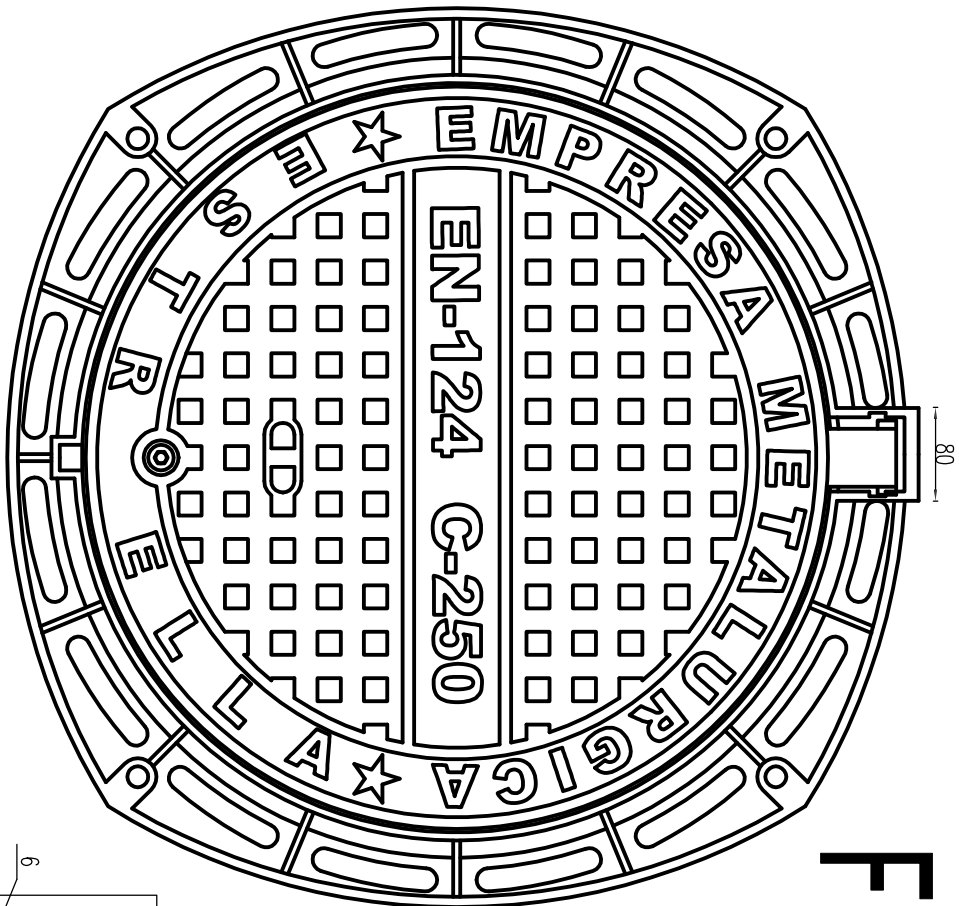


# FCC 805

030204-112



**NOTE:**

1. Products should be strictly according to the EN124
2. Products can not have the casting defects.
3. The height of type casting is 3mm.

5	Lock	9	Washer 2	Handan County Yanyuan Smelting and Casting Co., Ltd Material Equipment Copola P/N 01500-7 Manhole cover
4	Cover	8	Dowel pin	
3	Gasket	7	Split pin	
2	Hinge	6	Washer	
1	Frame			
Design Z	Technology Casting	Dowel	Weight NO.	Scale
Draw Z	Standard EN124:1994		40kg	One 1:5
Check W	Authorize U			
Audit c	Date 2012.10.29	共	页	第
		页		

