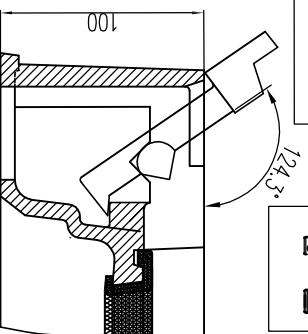
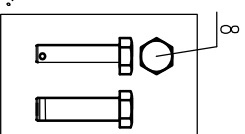
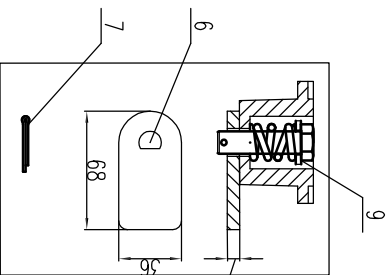
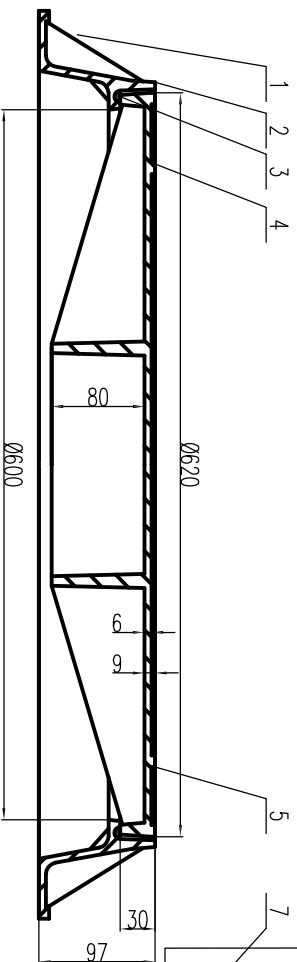
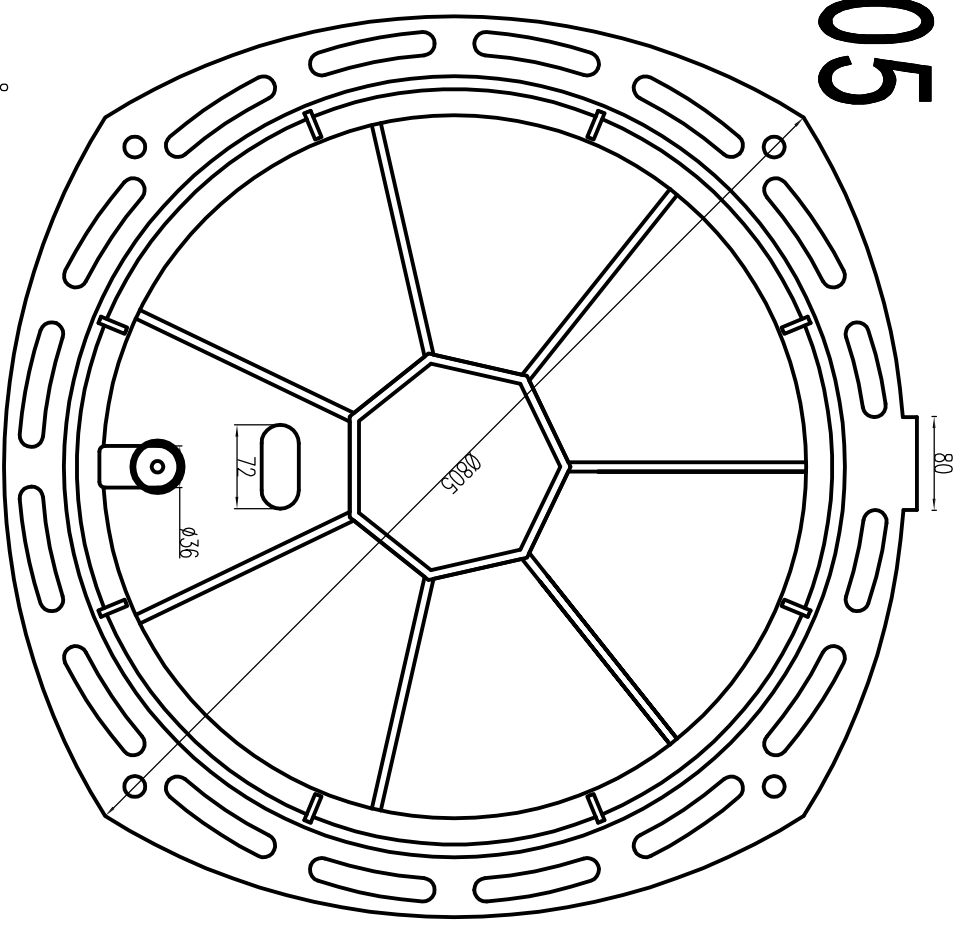
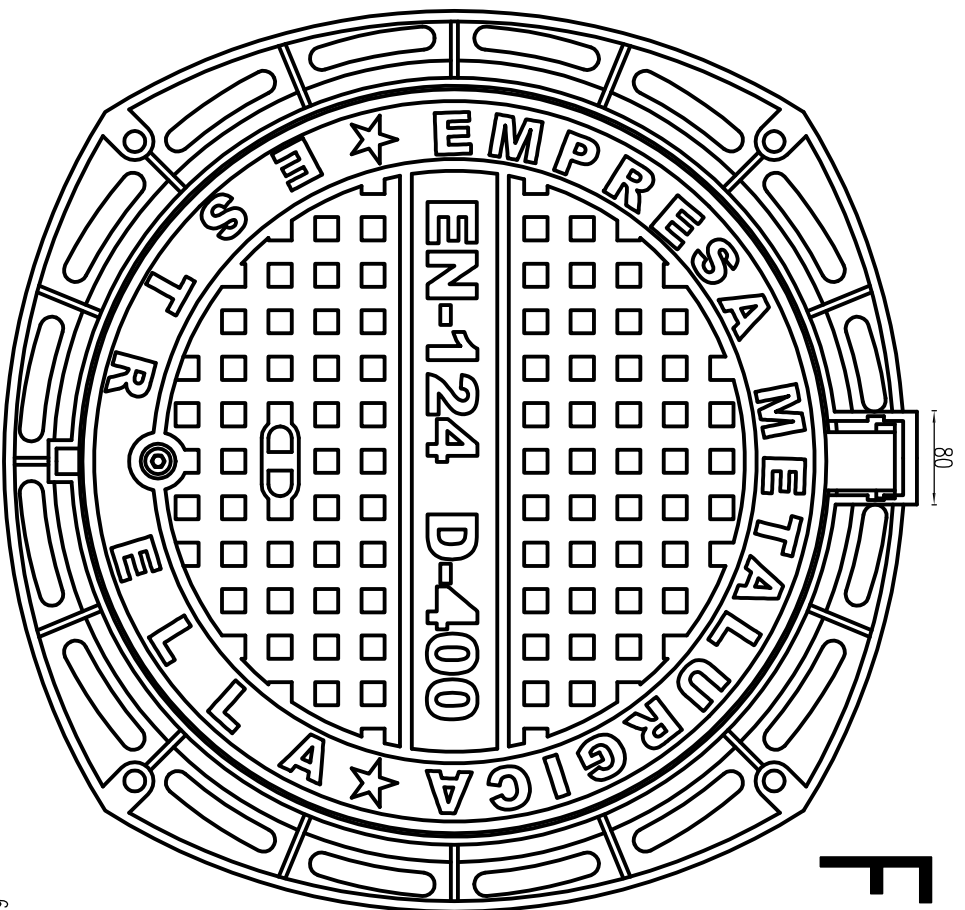


FGD 805

030204-108



NOTE:

1. Products should be strictly according to the EN124
2. Products can not have the casting defects.
3. The height of type casting is 3mm.

5	Lock	9	Washer 2
4	Cover	8	Dowel pin
3	Gasket	7	Split pin
2	Hinge	6	Washer
1	Frame		
Design Z	Technology Casting	Drawe Weight/NO.	Scale
Draw Z	Standard EN124:1994	44kg	One 1:5
Check w	Authorize LI		
Audit c	Date 2012.10.29	共 页 第 页	

Handan County Yanyuan
Smelting and Casting Co., Ltd

Material Equipment: Copolia

P/N: 01500-7

Material Equipment: Copolia

Monhole cover

Draw No.: FGD805/1