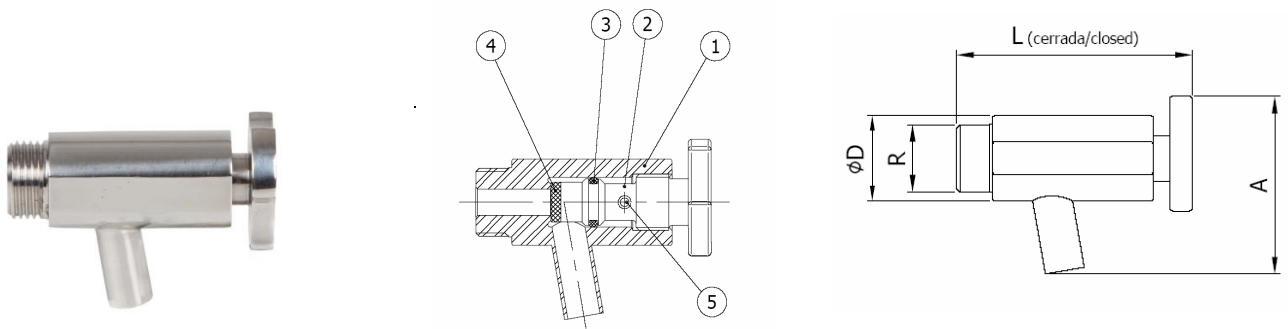


Sampling valve smooth pipe. Sanitary line.

Features

1. Sampling valve smooth pipe
2. Thread end according to ISO 228/1.
3. Made by AISI 304.
4. PTFE seat.
5. Easy cleaning and assembly.
6. Sanitary Polish $Ra \leq 0.8 \mu m$.
7. Max. Working pressure 10 Kg/cm².
8. Max. Working Temperature 150 °C.



Nº	Name	Material	Surface Treatment
1	Body	Inox AISI 304 / SS 304	Mechanical Polish
2	Stem	Inox AISI 304 / SS 304	Mechanical Polish
3	O ' ring	NBR	-----
4	Seat	PTFE	-----
5	Pin	Inox AISI 304 / SS 304	-----

GENERAL DIMENSIONS

	Medida (R) / Size (R)	DN	Dimensions (mm) Ref.			Peso / Weight (Kg.)
			A	D	L	
04	1/2"	15	55	26	72	0,250