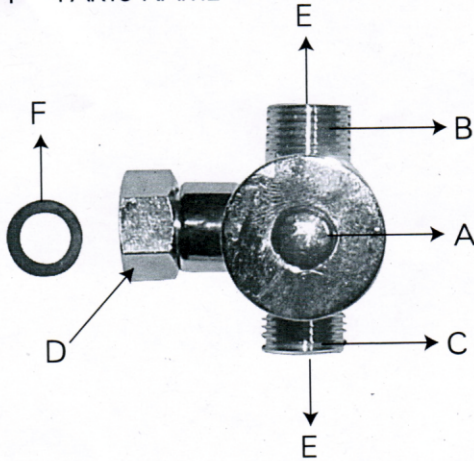


## ADJUST TEMPERATURE VALVE

### 1 · PARTS NAME



- A— hand wheel
- B— G1/2 water-in(cold)
- C— G1/2 water-in(hot)
- D— G1/2 water-out (composition)
- E— check valve
- F— rubber gasket

### 2 · ILLUSTRATION INSTALLATION

